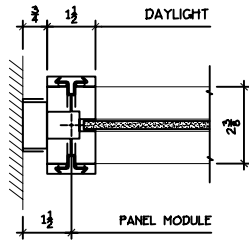


ADANLOCK ARCHITECTURAL WALL SYSTEMS

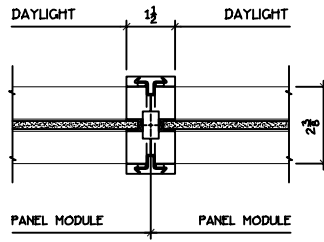
300 SERIES - STANDARD DETAILS

GLASS PANEL DETAILS

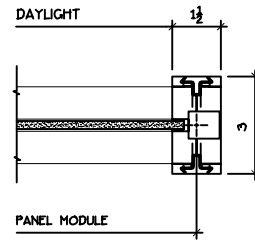
VERTICAL
MULLION
POSTS



GLASS PANEL WALL STARTER

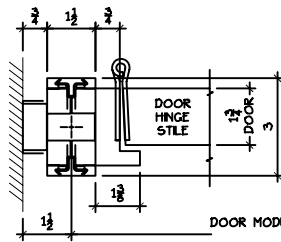


GLASS PANEL - INTERMEDIATE MULLION

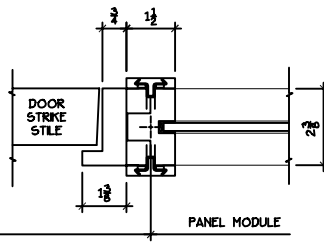


GLASS PANEL - FINISHED END POST

DOOR
FRAME
JAMBS



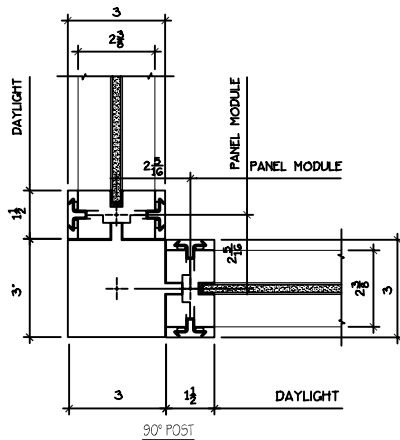
DOOR FRAME AT WALL START



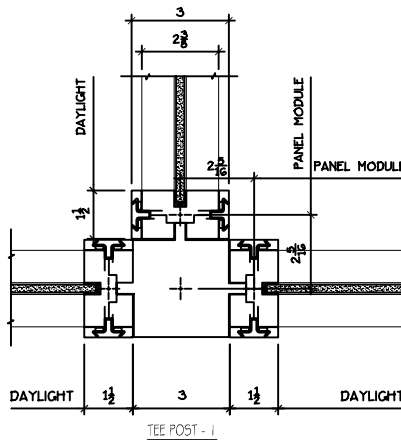
DOOR FRAME AT GLASS PANEL

DOOR MODULE = 39"

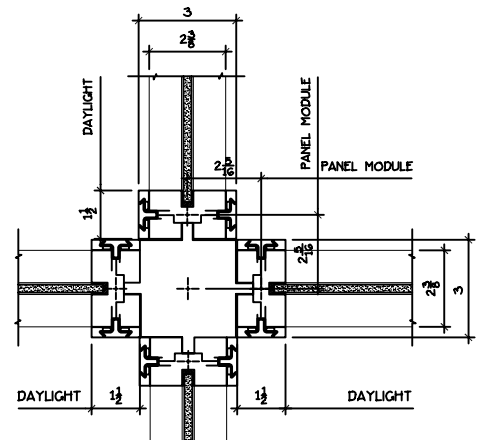
CORNER
POST
DETAILS



90° POST

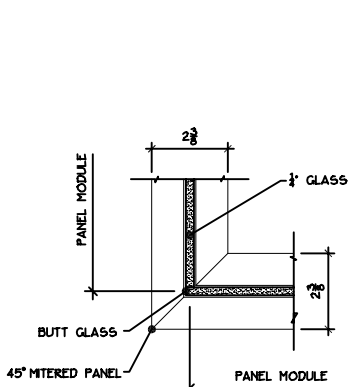


TEE POST - 1

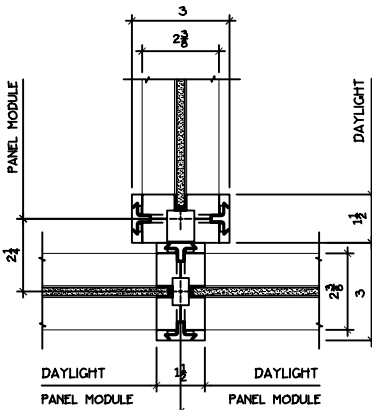


4-WAY POST - 1

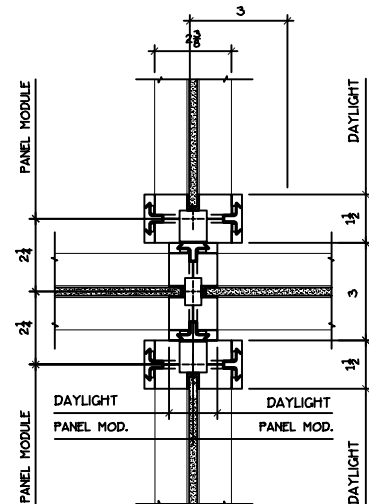
MITERED
CORNER
JOINT



BUTT-END GLASS
MITERED JOINT



TEE POST - 2



4-WAY POST - 2