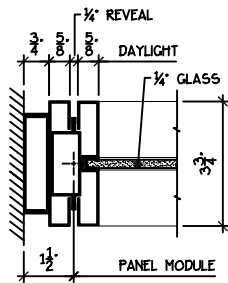


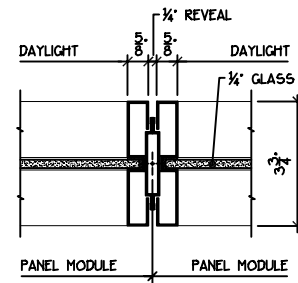
# ADANLOCK ARCHITECTURAL WALL SYSTEMS

## 375 SERIES - STANDARD DETAILS

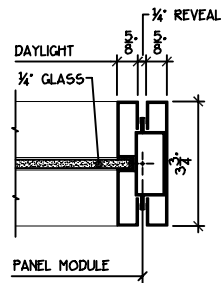
VERTICAL  
MULLION  
POSTS



GLASS PANEL AT WALL START

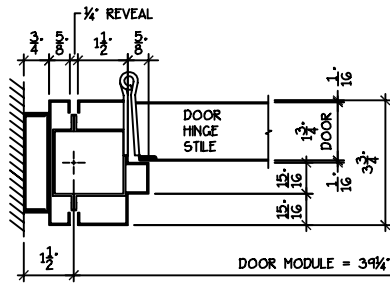


GLASS PANEL AT INTERMEDIATE MULLION

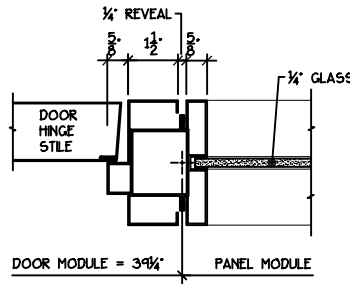


FINISHED END POST

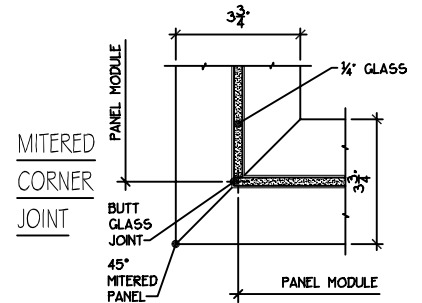
DOOR  
FRAME  
JAMBS



DOOR FRAME AT WALL START



DOOR FRAME AT GLASS PANEL

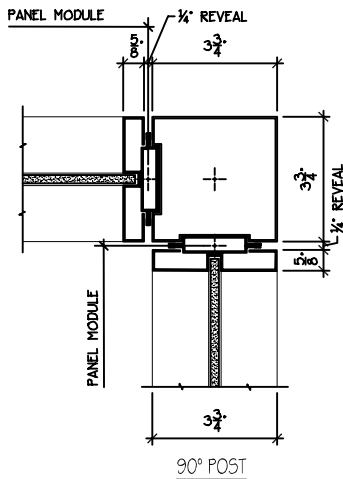


MITERED  
CORNER  
JOINT

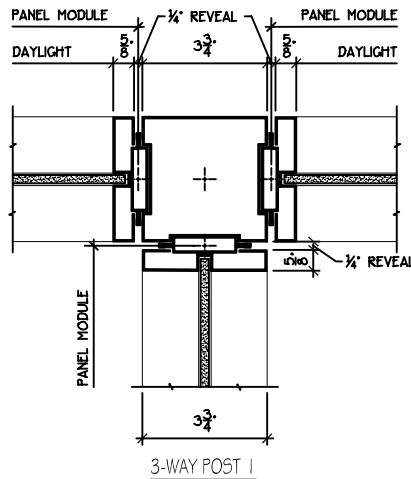
BUTT-END GLASS MITERED JOINT

GLASS PANEL DETAILS

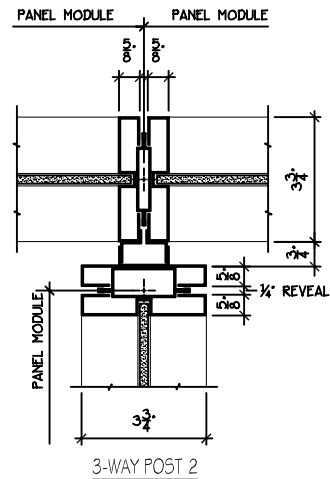
CORNER  
POST  
DETAILS



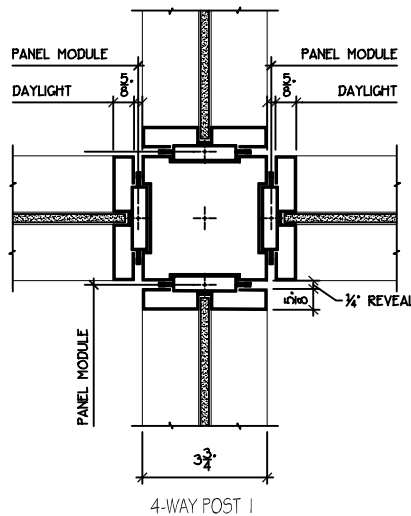
90° POST



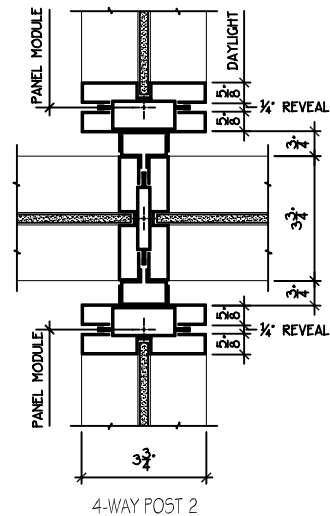
3-WAY POST 1



3-WAY POST 2



4-WAY POST 1



4-WAY POST 2